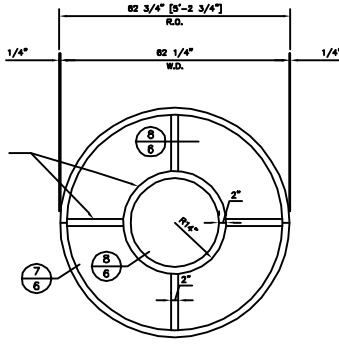


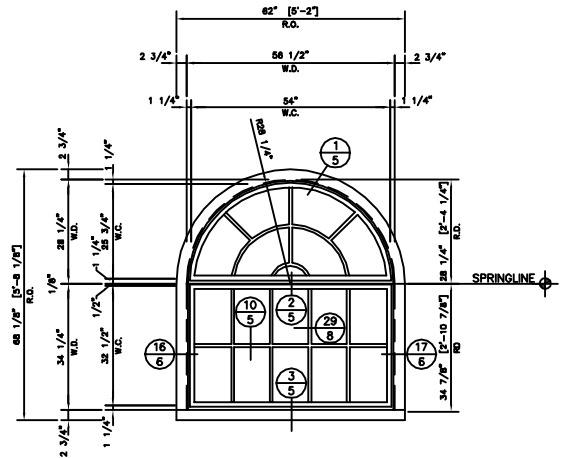
UNIT "J"
 FOUR (4) REQ'D. THUS
 ● EXTERIOR ELEVATIONS
 SYSTEM: SAMPLE
 GLAZING: TYPE 1 & 2

NOTE:
 THESE WINDOW DIMENSIONS ARE
 ROUNDED TO NEAREST 1/16"
 FOR EASE OF MANUFACTURING.

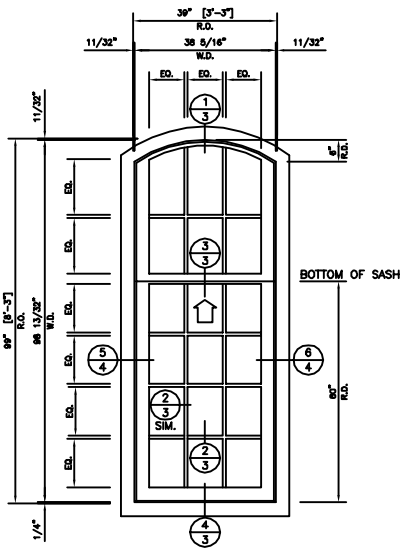


UNIT "W7"
 TWO (2) REQ'D. THUS
 ● EXTERIOR GABLE ELEVATIONS
 SYSTEM: SAMPLE
 GLAZING: TYPE 1

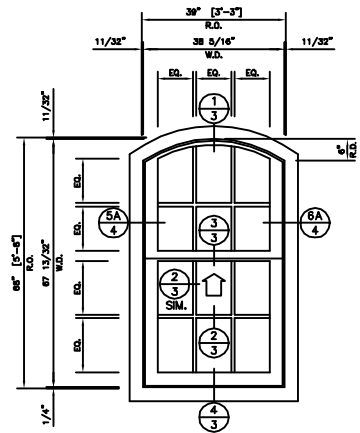
NOTE:
 1/8" ALUMINUM LASER
 CUT TO PATTERN



UNIT "11-2"
 ONE (1) REQ'D. THUS
 ● EXTERIOR ELEVATIONS
 SYSTEM: SAMPLE
 GLAZING: TYPE [1]



UNIT "A"
 SIX (6) REQ'D. THUS
 ● EXTERIOR ELEVATIONS
 SYSTEM: SAMPLE
 GLAZING: TYPE 1



UNIT "B"
 SEVEN (7) REQ'D. THUS
 ● EXTERIOR ELEVATIONS
 SYSTEM: SAMPLE
 GLAZING: TYPE 1

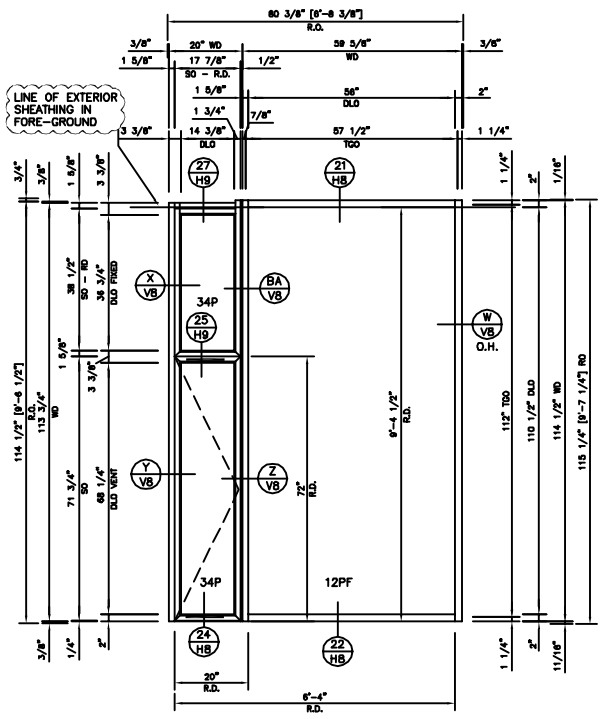
REVISIONS	BY

THESE DRAWINGS PREPARED BY:
 ARCHITECTURAL DRAFTING SERVICE, INC.
 4435 METAMORA ROAD SUITE B
 METAMORA, MI 48450
 (313) 478-3112 PHONE
 (313) 478-3112 FAX
 WWW.DRAFTINGSERVICE.COM

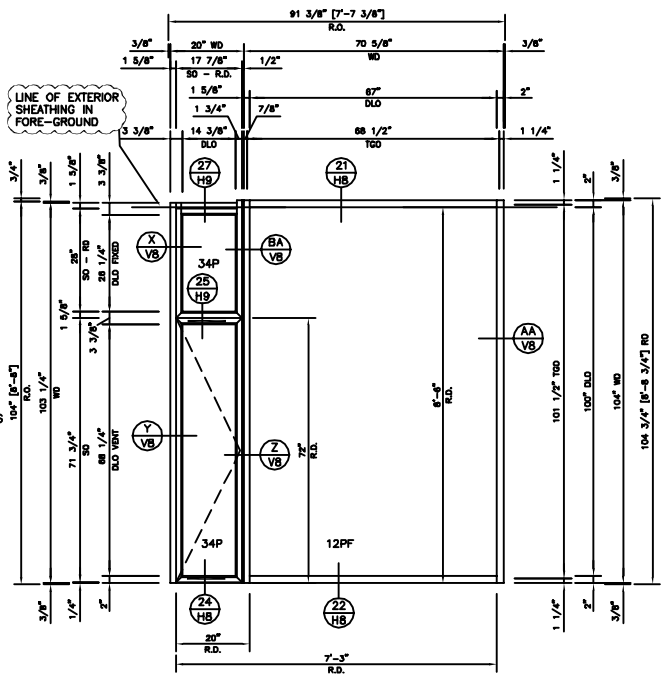
CONSTRUCTION MANAGER: A.B.C., INC.
 CUSTOMER: X.Y.Z., INC.
 CUSTOMER LOCATION: SOMERSETTIERE, U.S.A.

PROJECT NAME: SAMPLE
 PROJECT LOCATION: SOMERSETTIERE, U.S.A.
 ARCHITECT: SAMPLE ARCHITECT

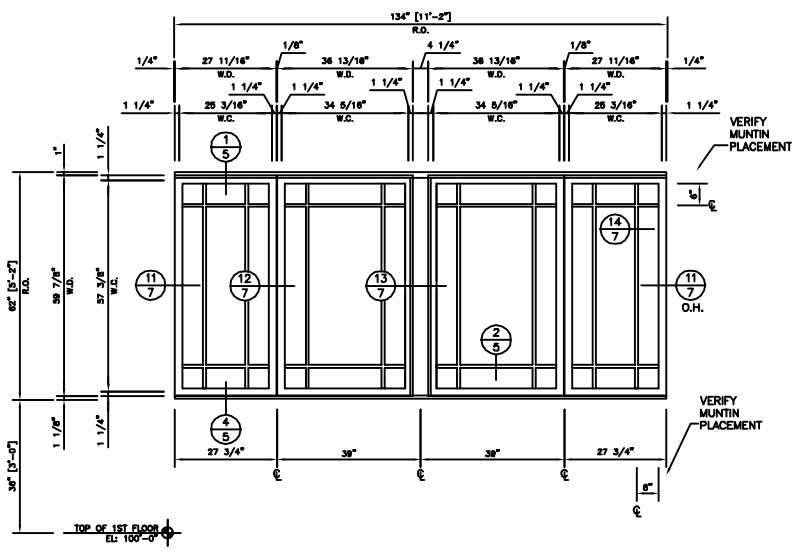
DRAWN BY: J.O.H.
 CHECKED: A.D.S.
 DATE: 09-01-09
 SCALE: 3/4" = 1'-0"
 DRAWING NO. 1234A
 SHEET
E1



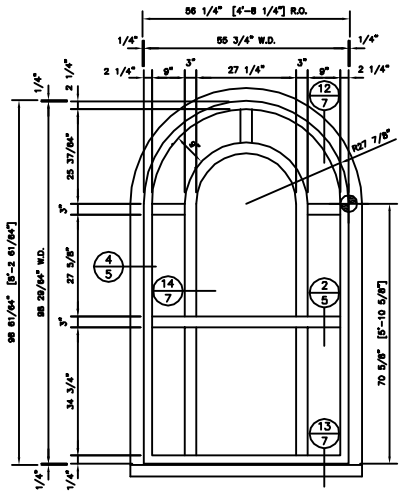
UNIT "W"
 ONE (1) REQ'D. THUS
 ● EXTERIOR ELEVATIONS
 SYSTEM: SAMPLE
 GLAZING: TYPE 1



UNIT "X"
 TWO (2) REQ'D. THUS
 ● EXTERIOR ELEVATIONS
 SYSTEM: SAMPLE
 GLAZING: TYPE 1



UNIT "Y"
 THREE (3) REQ'D. THUS
 ● EXTERIOR ELEVATIONS
 SYSTEM: SAMPLE
 GLAZING: TYPE 1



UNIT "Z"
 FOUR (4) REQ'D. THUS
 ● EXTERIOR ELEVATIONS
 SYSTEM: SAMPLE
 GLAZING: TYPE 1

REVISIONS	BY

THESE DRAWINGS PREPARED BY:
 ARCHITECTURAL DRAFTING SERVICE, INC.
 4435 METAMORA ROAD SUITE B
 METAMORA, MI 48450
 (616) 678-3112 PHONE
 (616) 678-3113 FAX
 WWW.DRAFTINGSERVICE.COM



CONSTRUCTION MANAGER: A.B.C., INC.
 CUSTOMER: X.Y.Z., INC.
 CUSTOMER LOCATION: SOMERSETT, U.S.A.

PROJECT NAME: SAMPLE
 PROJECT LOCATION: SOMERSETT, U.S.A.
 ARCHITECT: SAMPLE ARCHITECT

DRAWN BY: J.O.H.
 CHECKED: A.D.S.
 DATE: 00-01-00
 SCALE: FULL
 DRAWING NO. 1234A
 SHEET
E2