

ARCH'T. & G.C. NOTE:  
FLASHING BY OTHERS MUST BE INSTALLED  
SO PERIMETER WINDOW FASTENERS DO  
NOT PUNCTURE.

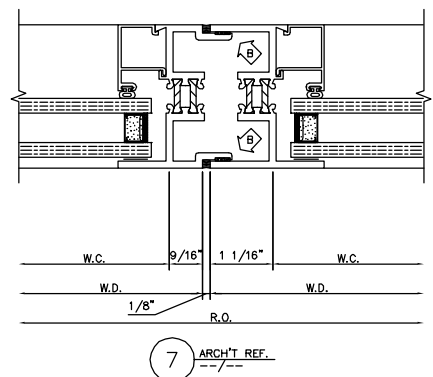
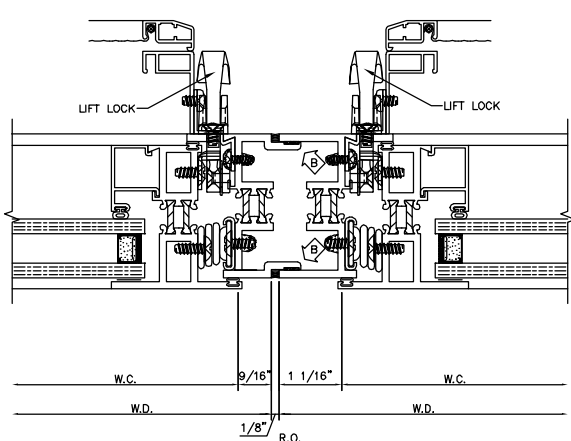
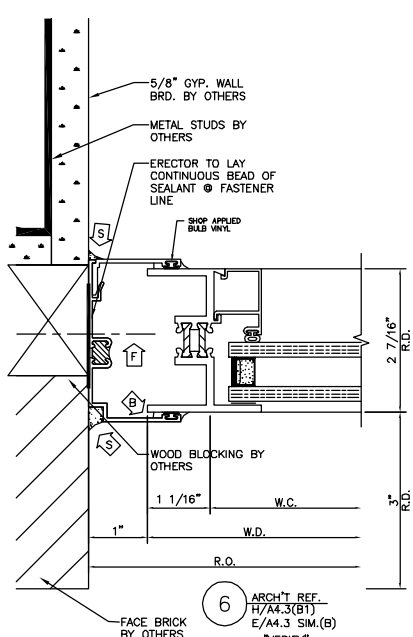
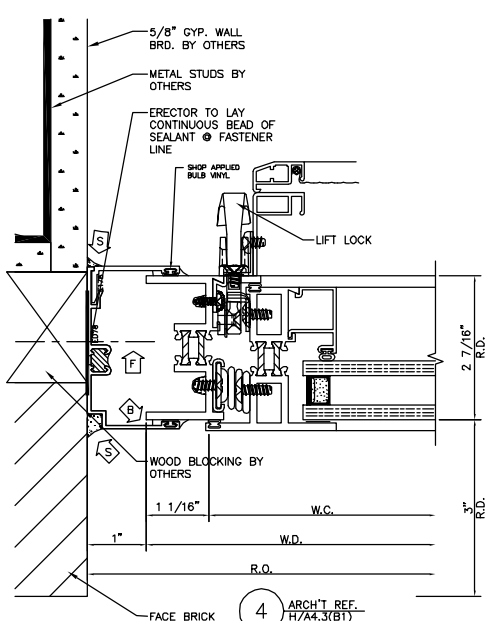
ERECTOR NOTE:  
ALL STACKS AND SUBILLS  
MUST BE SET IN A BED OF  
SEALANT TO INSURE A  
WATERTIGHT SEAL (INTERIOR  
AND EXTERIOR).

ERECTOR NOTE:  
FIELD WEEP 1/4" DIA. 6" FROM  
JAMES & 5"-0" O.C. IF FRAME  
EXCEEDS 8'-0" WIDE.

ERECTOR NOTE:  
END DAM SUBSILL WITH FLASHING  
MATERIAL (LABOR BY ERECTOR).  
SEAL END DAM TO SUBSILL, THEN  
SEAL END DAM TO CONDITION. PER  
EFOOD CORP. INSTALLATION INSTRUCTIONS  
SUBFRAME SECTION. (TYPICAL)

ERECTOR NOTE:  
FASTENER HEADS AT SILL MUST BE COVERED  
WITH SEALANT TO INSURE A WATERTIGHT SEAL  
(TYPICAL).

NOTE:  
VERIFY SCREEN  
PLACEMENT TO  
ACCOMMODATE  
A/C LOCKS.



REVISIONS	BY

THESE DRAWINGS PREPARED BY:  
ARCHITECTURAL DRAFTING SERVICE, INC.  
3435 METAMORA ROAD, SUITE B  
METAMORA, MI 48455  
(810) 678-5112 PHONE  
(810) 678-5113 FAX  
WWW.DRAFTINGSERVICE.COM

CONSTRUCTION MANAGER: A.B.C., INC.  
CUSTOMER: X.Y.Z., INC.  
CUSTOMER LOCATION: SOMERSETT, U.S.A.

PROJECT NAME: SAMPLE  
PROJECT LOCATION: SOMERSETT, U.S.A.  
ARCHITECT: SAMPLE ARCHITECT

DRAWN BY: J.O.R  
CHECKED: A.D.S.  
DATE: 09-01-09  
SCALE: FULL  
DRAWING NO: 1234A  
SHEET: V1