

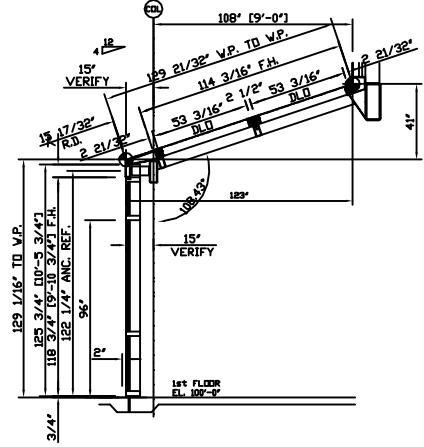
17,000 LBS
DYNAMIC
800 LBS
WIND

NOTE:
WORK POINT IS FROM WHERE
THE FACE OF THE VERTICAL
WALL AND THE TOP OF THE
SLOPE WALL MEET.

TOP OF MTL. PANEL
EL. 10'-9" 7/16"

17,000 LBS
DYNAMIC
800 LBS
WIND
700 LBS
HEAD

1st FLOOR
EL. 100'-0"

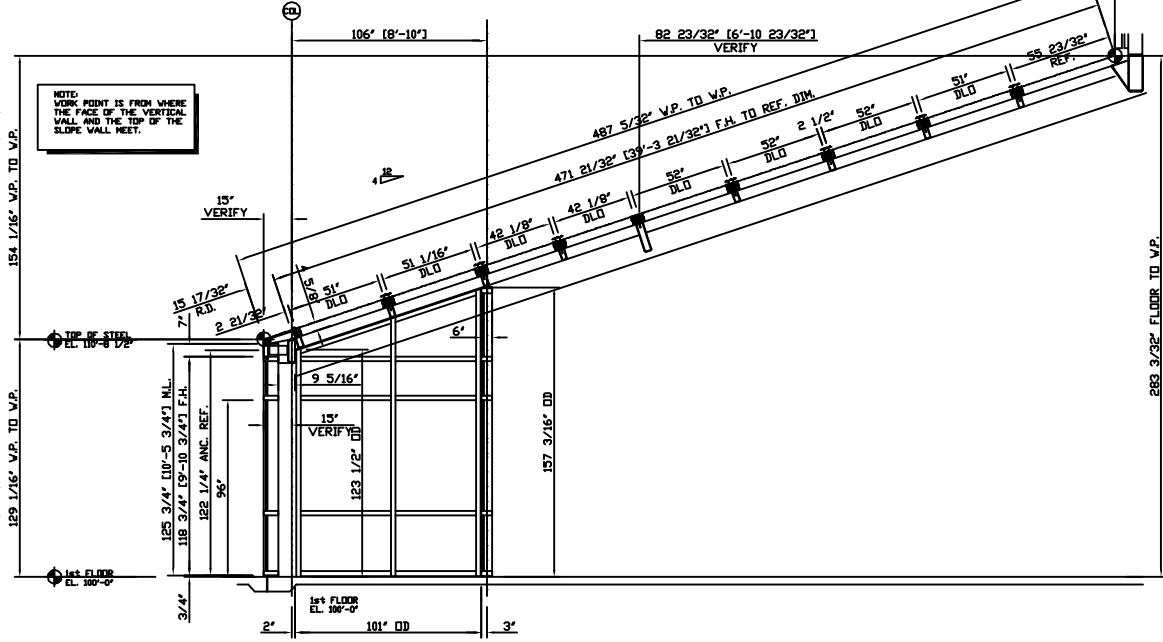


17,000 LBS
DYNAMIC
800 LBS
WIND

NOTE:
WORK POINT IS FROM WHERE
THE FACE OF THE VERTICAL
WALL AND THE TOP OF THE
SLOPE WALL MEET.

TOP OF STEEL
EL. 10'-8" 1/2"

17,000 LBS
DYNAMIC
800 LBS
WIND
700 LBS
HEAD



REVISIONS BY

THESE DRAWINGS PREPARED BY:
ARCHITECTURAL DRAFTING SERVICE, INC.
4435 METAMORA ROAD SUITE B
METAMORA, MI 48450
(313) 678-3112 PHONE
(313) 678-3113 FAX
WWW.DRAFTINGSERVICE.COM



CONSTRUCTION MANAGER: A.B.C., INC.
CUSTOMER: X.Y.Z., INC.
CUSTOMER LOCATION: SOMERSETT, U.S.A.

PROJECT NAME: SAMPLE
PROJECT LOCATION: SOMERSETT, U.S.A.
ARCHITECT: SAMPLE ARCHITECT

DRAWN BY: J.O.H.
CHECKED: A.D.S.
DATE: 00-01-00
SCALE: 3/8"=1'-0"
DRAWING NO. 1234A
SHEET 51

