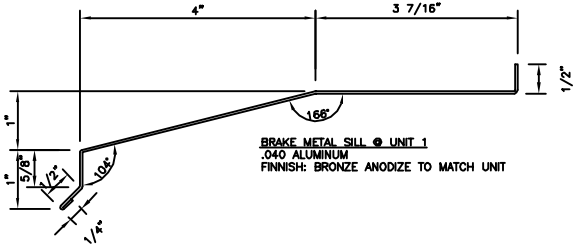
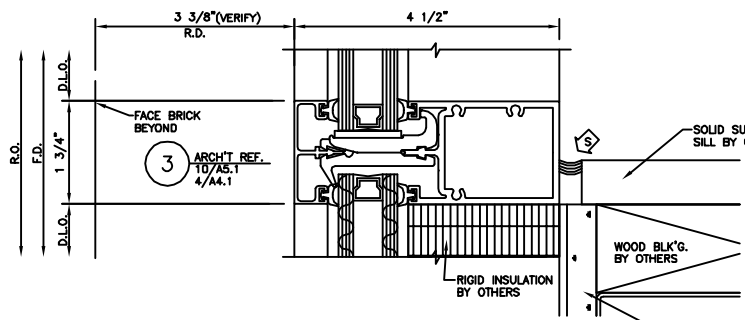
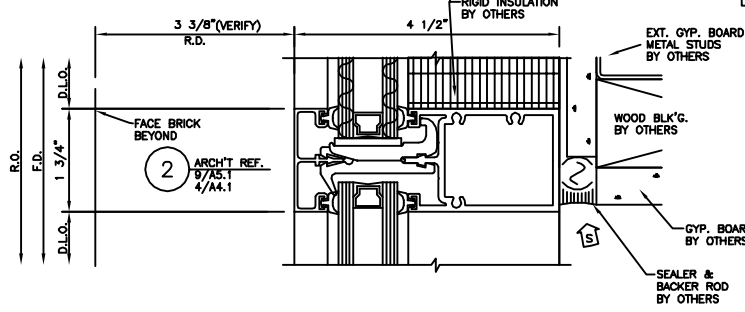
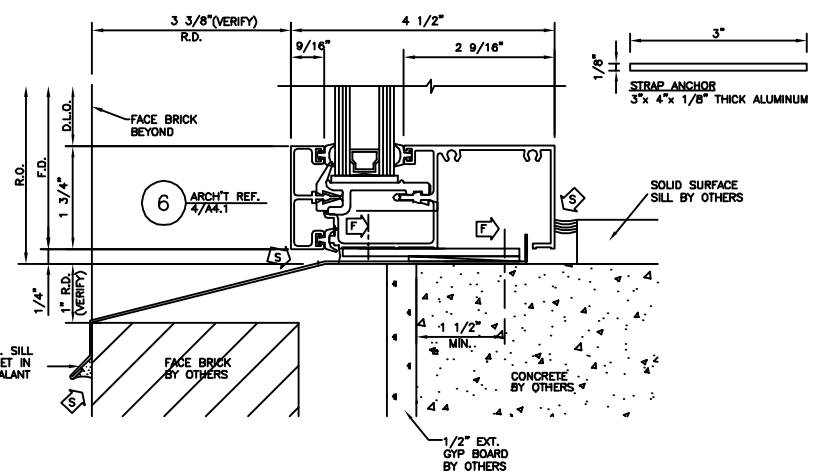
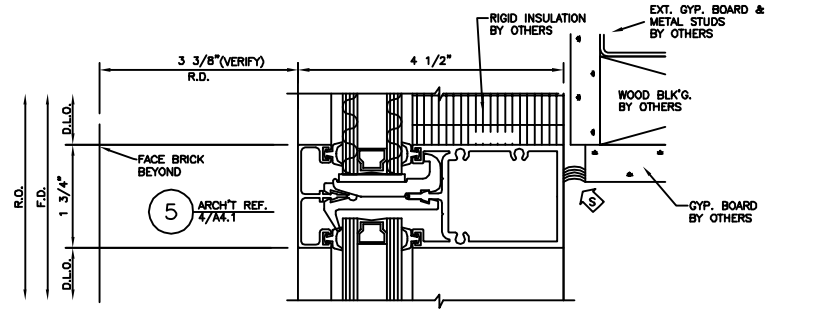
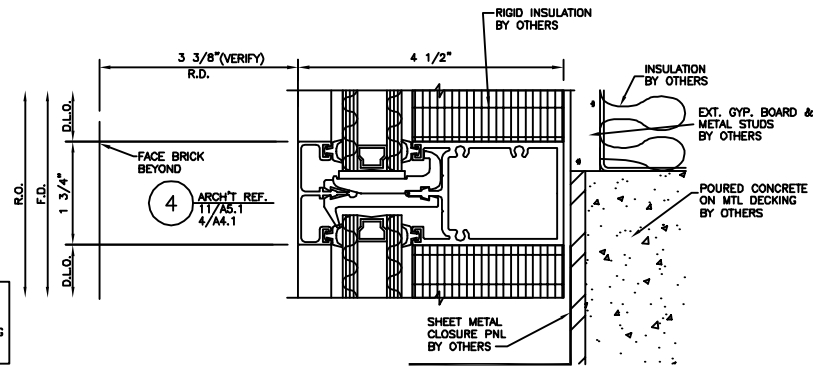


ARCH'T. & G.C. NOTE:
STOREFRONT EXPANSION
& DEFLECTION MUST BE
CONSIDERED WHERE ADJOINING
BUILDING MATERIALS
ARE INVOLVED



BRAKE METAL SILL @ UNIT 1
.040 ALUMINUM
FINISH: BRONZE ANODIZE TO MATCH UNIT



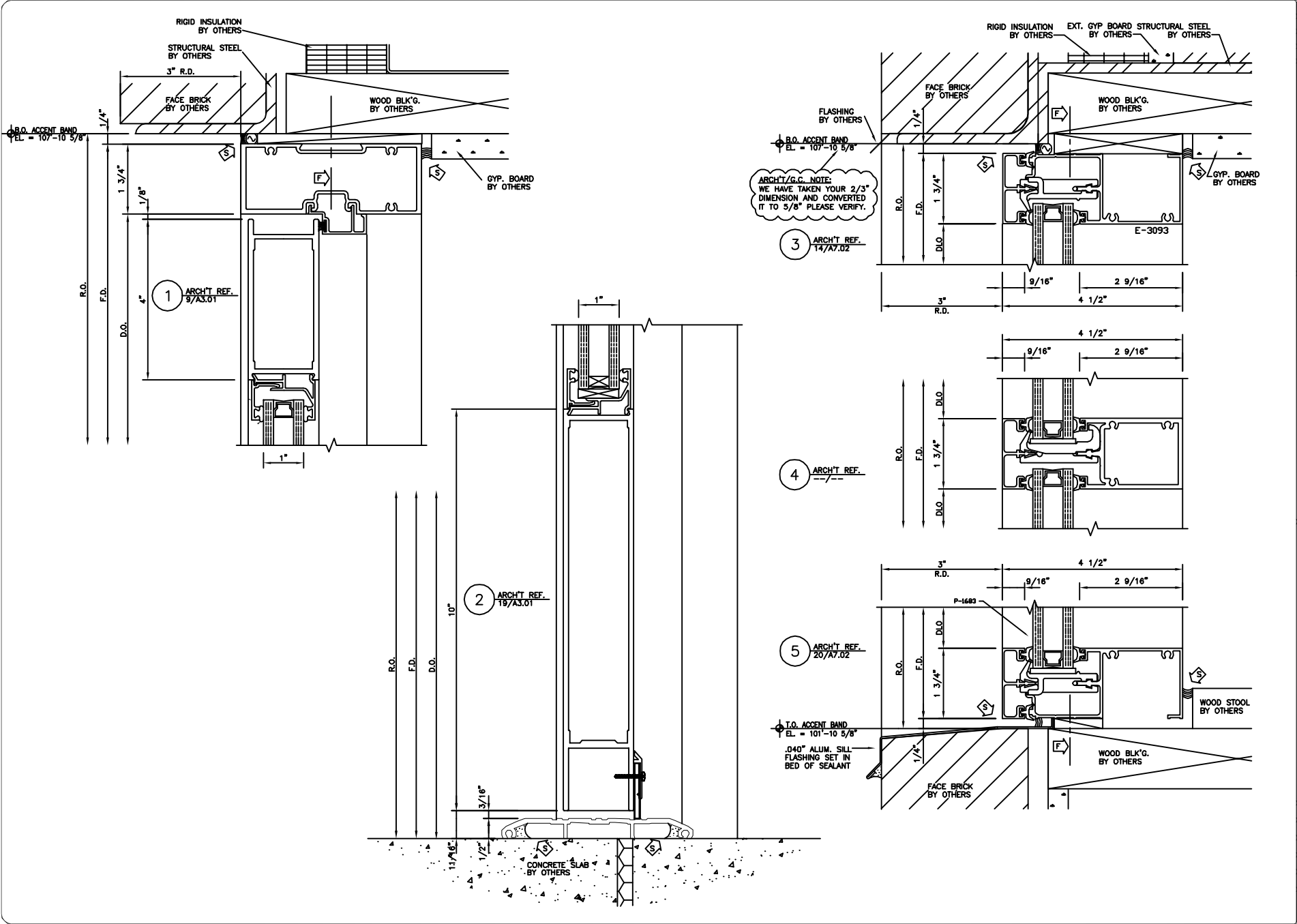
REVISIONS	BY

THESE DRAWINGS PREPARED BY:
ARCHITECTURAL DRAFTING SERVICE, INC.
8435 METAMORA ROAD SUITE B
METAMORA, MI 48450
(313) 678-3112 PHONE
(313) 678-3113 FAX
WWW.DRAFTINGSERVICE.COM

CONSTRUCTION MANAGER: A.B.C., INC.
CUSTOMER: X.Y.Z., INC.
CUSTOMER LOCATION: SOMERSETTIERE, U.S.A.

PROJECT NAME: SANPETE
PROJECT LOCATION: SOMERSETTIERE, U.S.A.
ARCHITECT: SANPETE ARCHITECTS

DRAWN BY: J.O.H.
CHECKED: A.D.S.
DATE: 08-01-09
SCALE: FULL
DRAWING NO: 1234A
SHEET: H1



ARCHT./S.C. NOTE:
WE HAVE TAKEN YOUR 2/3\"/>

REVISIONS	BY

THESE DRAWINGS PREPARED BY:
ARCHITECTURAL DRAFTING SERVICE, INC.
 4435 METAMORA ROAD SUITE B
 METAMORA, MI 48450
 (313) 678-3112 PHONE
 (313) 678-3112 FAX
 WWW.DRAFTINGSERVICE.COM

CONSTRUCTION MANAGER: A.B.C., INC.
 CUSTOMER: X.Y.Z., INC.
 CUSTOMER LOCATION: SOMERSETTHER, U.S.A.

PROJECT NAME: SAMPLE
 PROJECT LOCATION: SOMERSETTHER, U.S.A.
 ARCHITECT: SAMPLE ARCHITECT

DRAWN BY: J.O.R.
 CHECKED: A.D.S.
 DATE: 00-01-00
 SCALE: FULL
 DRAWING NO. 1234A
 SHEET
H3

